

# INCREASED SAFETY ALARM BUTTON

## AE/IS-BG2

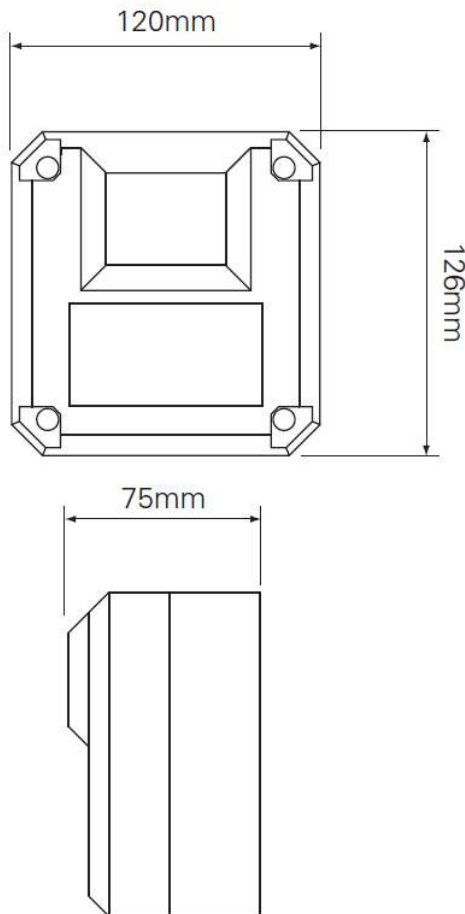
### Description

Explosion-resistant increased security alarm button. Indicated for installations in hazardous areas.

Classified EX II 2G EEx ed IIC.



### Dimensions



### TECHNICAL CHARACTERISTICS

Protection:	IP66
Temperature range:	from -20° to + 50°C
Material:	GRP glass reinforced plastic
Weight:	1.2Kg
Supply voltage:	Up to 250Vdc 5A (switch only) Up to 24 Vdc (resistance + switch) (in case of fire)